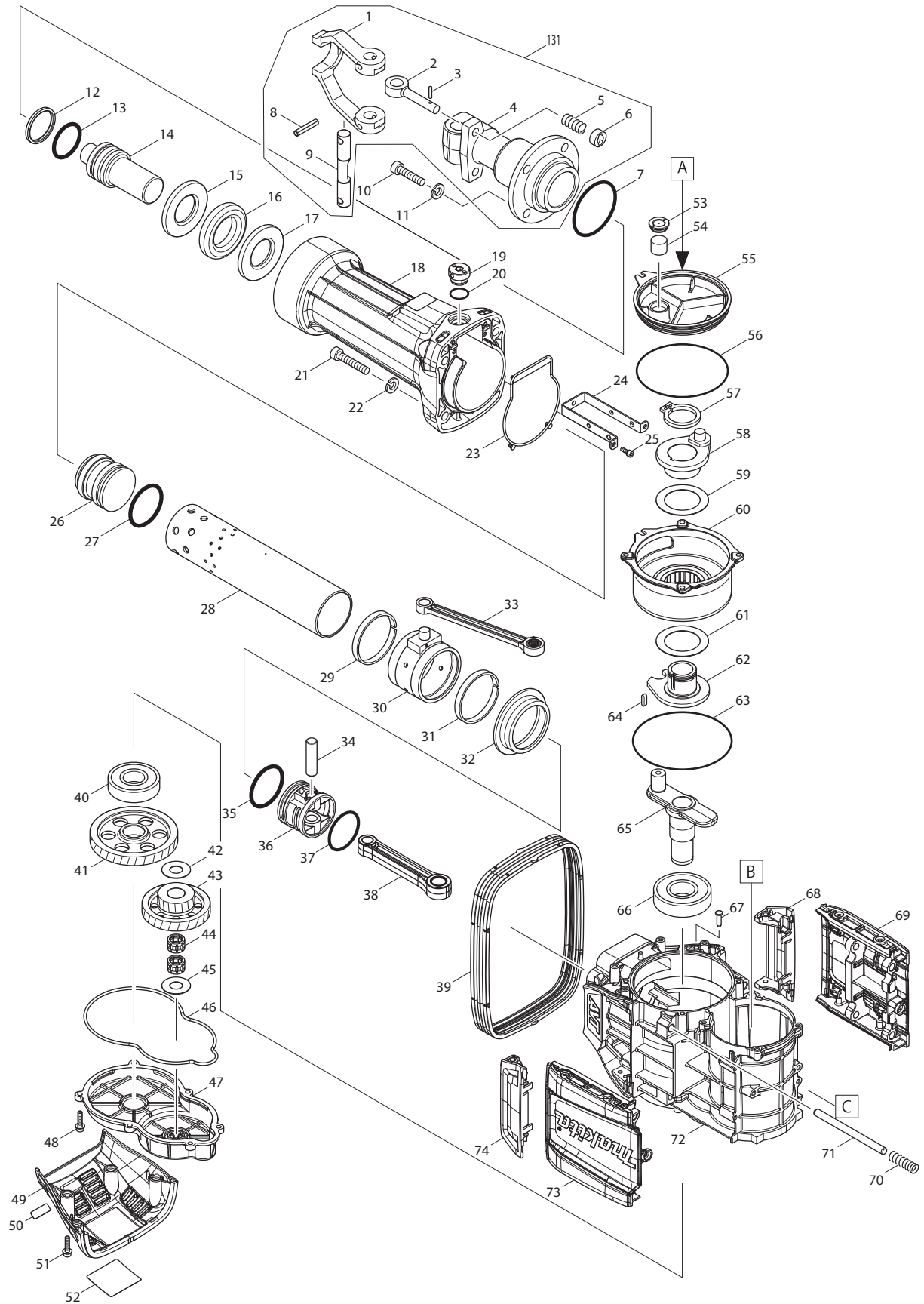
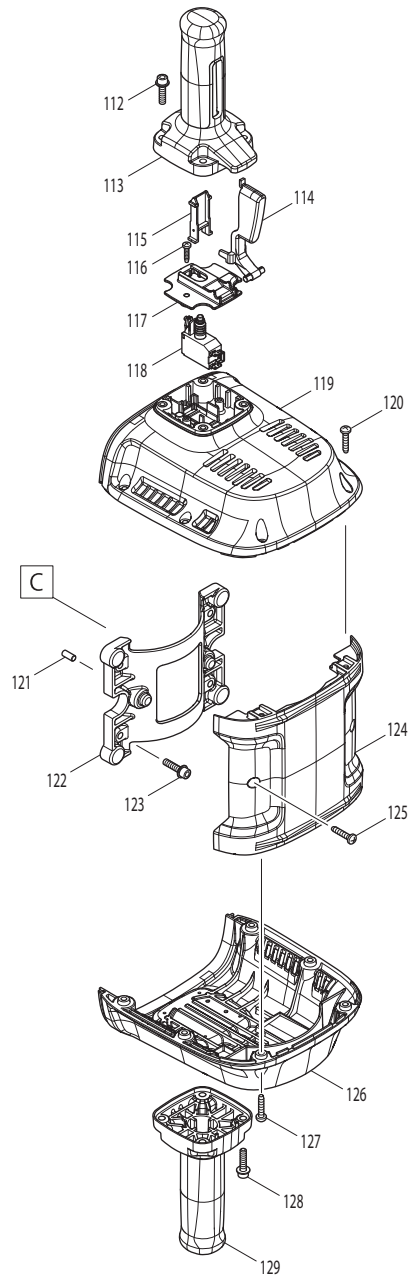
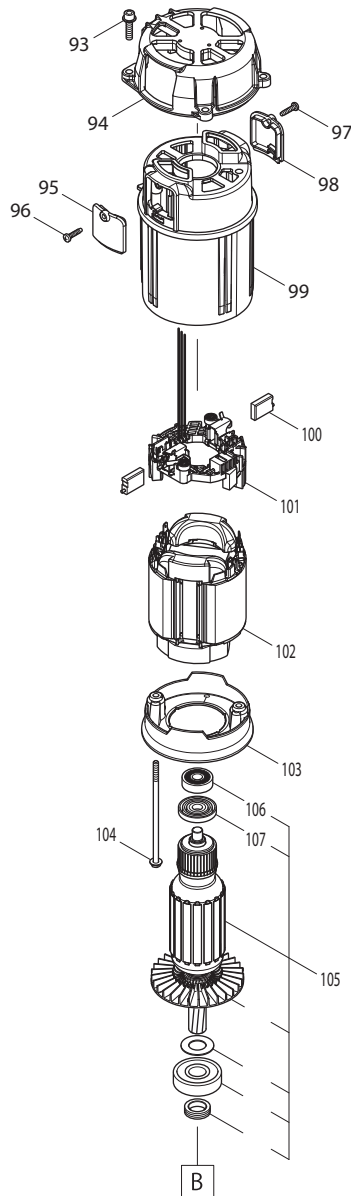
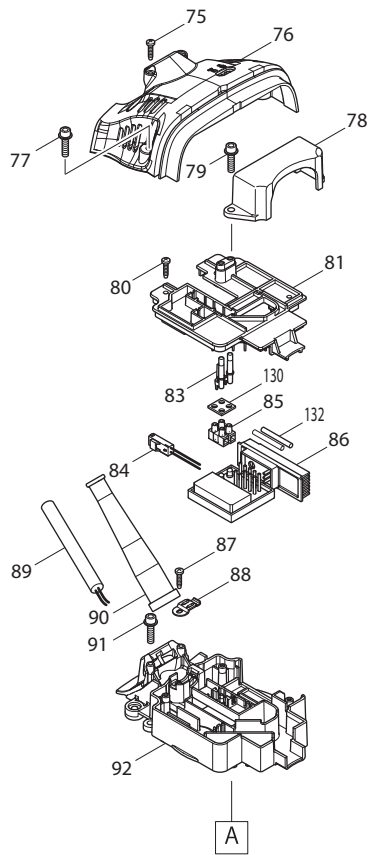




03 - 2015
HM1812
HM1812X1
1-1/8" HEX ELECTRIC BREAKER





Item No	Type	Sub	Part No.	Description	Qty	Unit
001			324236-0	TOOL RETAINER	1	PC.
002			322477-2	TOOL RETAINER POLE	2	PC.
003			256219-1	PIN 4	2	PC.
004			310616-6	TOOL HOLDER 29	1	PC.
005			233083-7	COMPRESSION SPRING 12	2	PC.
006			322560-5	RETAINER RING	2	PC.
007			213757-6	O RING 80	1	PC.
008			951272-9	SPRING PIN 8-40	2	PC.
009			324238-6	TOOL RETAINER SHAFT	1	PC.
010			265989-1	HEX. SOCKET BOLT M12X45	4	PC.
011			942301-9	SPRING WASHER 12	4	PC.
012			213797-4	X RING 47	1	PC.
013			213798-2	O RING 47	1	PC.
014			326469-3	IMPACT BOLT	1	PC.
015			332127-1	WASHER 42	1	PC.
016			262174-7	RUBBER RING 47	1	PC.
017			332127-1	WASHER 42	1	PC.
018			143178-7	BARREL COMPLETE	1	PC.
		INC.	806G43-0	CAUTION LABEL	1	PC.
019			450347-6	CAP	1	PC.
020			213953-6	O RING 24	1	PC.
021			922677-0	HEX. SOCKET BOLT M12X55	4	PC.
022			942301-9	SPRING WASHER 12	4	PC.
023			424666-6	SEAL RING A	1	PC.
024			346840-5	PLATE	1	PC.
025	2		266071-9	HEX. SOCKET HEAD BOLT M5X16	2	PC.
026			326470-8	STRIKER	1	PC.
027			213799-0	O RING 56	1	PC.
028			332130-2	CYLINDER LINER 66	1	PC.
029			455492-2	SPACER 72	1	PC.
030			123361-2	BALLANCER ASSEMBLY	1	PC.
		INC.		Item No. 29		
031			455492-2	SPACER 72	1	PC.
032			332131-0	SPACER	1	PC.
033			142922-9	CONNECTING ROD COMPLETE	1	PC.
034			268328-4	PIN 15 C	1	PC.
035			213799-0	O RING 56	1	PC.
036			455509-1	PISTON	1	PC.
037			213662-7	O RING 55	1	PC.
038			455490-6	CONNECTING ROD	1	PC.
039			424669-0	BELLOWS	1	PC.
040			211151-6	BALL BEARING 6306LLB	1	PC.
041			227797-8	HELICAL GEAR 57	1	PC.
042			267290-0	FLAT WASHER 18	1	PC.
043			226834-5	GEAR COMPLETE 23-59	1	PC.
044			212099-5	NEEDLE CAGE 1816	2	PC.
045			267290-0	FLAT WASHER 18	1	PC.
046			424667-4	SEAL RING B	1	PC.
047			455491-4	GEAR COVER	1	PC.
048			266923-4	H.S.HEAD BOLT M6X25 WITH GM	6	PC.
049			455500-9	SIDE COVER B	1	PC.
050			850X57-3	SERIAL NO. LABEL F/HM1812	1	PC.
051			266923-4	H.S.HEAD BOLT M6X25 WITH GM	4	PC.
052			850T96-9	NAME PLATE F/HM1812	1	PC.
053			424668-2	FILTER CAP	1	PC.
054			443127-7	FILTER	1	PC.
055			455493-0	STOPPER	1	PC.
056			213810-8	O RING 124	1	PC.
057			961156-3	RETAINING RING S-40	1	PC.
058			142921-1	CRANK COMPLETE	1	PC.
059			267486-3	FLAT WASHER 50	1	PC.
060			142952-0	CRANK BOX COMPLETE	1	PC.

Item No	Type	Sub	Part No.	Description	Qty	Unit
061			267486-3	FLAT WASHER 50	1	PC.
062			310619-0	COUNTER SHAFT	1	PC.
063			213902-3	O RING 135	1	PC.
064			254220-0	KEY 5	1	PC.
065			310618-2	CRANK SHAFT	1	PC.
066			211500-7	BALL BEARING 6307LLU	1	PC.
067			256559-7	FLAT FILLISTER HD PIN 6	4	PC.
068			455506-7	HANDLE C	1	PC.
069			455503-3	CENTER COVER	1	PC.
070			234349-8	COMPRESSION SPRING 12A	4	PC.
071			326471-6	ROD 10	4	PC.
072			142919-8	CRANK HOUSING COMPLETE	1	PC.
073			455503-3	CENTER COVER	1	PC.
074			455506-7	HANDLE C	1	PC.
075			265995-6	TAPPING SCREW 4X18	2	PC.
076			455499-8	SIDE COVER A	1	PC.
077			266923-4	H.S.HEAD BOLT M6X25 WITH GM	4	PC.
078			455510-6	BRACKET	1	PC.
079			266923-4	H.S.HEAD BOLT M6X25 WITH GM	2	PC.
080			265995-6	TAPPING SCREW 4X18	3	PC.
081			455495-6	CAP COVER	1	PC.
083			455514-8	LENS	1	PC.
084			632E02-4	LEAD UNIT	1	PC.
085			654531-7	TERMINAL BLOCK 2P	1	PC.
086			620364-2	CONTROLLER	1	PC.
087			265995-6	TAPPING SCREW 4X18	1	PC.
088			687683-9	STRAIN RELIEF	1	PC.
089			664290-5	CORD W/PLUG 2P-14-5.0M	1	PC.
090			682578-1	CORD GUARD	1	PC.
091			266923-4	H.S.HEAD BOLT M6X25 WITH GM	2	PC.
092			455494-8	CRANK HOUSING CAP	1	PC.
093			266923-4	H.S.HEAD BOLT M6X25 WITH GM	4	PC.
094			319220-8	BEARING BOX	1	PC.
095			455498-0	BRUSH HOLDER COVER	1	PC.
096			265995-6	TAPPING SCREW 4X18	1	PC.
097			265995-6	TAPPING SCREW 4X18	1	PC.
098			455498-0	BRUSH HOLDER COVER	1	PC.
099			455496-4	MOTOR HOUSING	1	PC.
100			197128-4	CARBON BRUSH CB-218 2PC/SET W/ ORIGIN	1	SET
101	2		632L58-9	BRUSH HOLDER UNIT	1	PC.
102			636405-4	FIELD 100-115V	1	PC.
103			455497-2	BAFFLE PLATE	1	PC.
104			266922-6	+ HEX. BOLT M5X120 WITH GM	2	PC.
105			517911-7	ARMATURE ASS'Y 115V	1	PC.
106			211087-9	BALL BEARING 6200DDW	1	PC.
107			681630-2	INSULATION WASHER	1	PC.
112			266923-4	H.S.HEAD BOLT M6X25 WITH GM	4	PC.
113			455504-1	HANDLE A	1	PC.
114			455508-3	SWITCH LEVER	1	PC.
115			455511-4	SWITCH GUIDE	1	PC.
116			265995-6	TAPPING SCREW 4X18	1	PC.
117			455507-5	SWITCH COVER	1	PC.
118			650738-3	SWITCH C3JW-C-P	1	PC.
119			455502-5	HANDLE BASE A	1	PC.
120			266041-8	TAPPING SCREW 5X25	6	PC.
121			256269-6	PIN 6	2	PC.
122			319222-4	BASE	1	PC.
123			266923-4	H.S.HEAD BOLT M6X25 WITH GM	4	PC.
124			455501-7	HEAD COVER	1	PC.
125			266041-8	TAPPING SCREW 5X25	2	PC.
126			455512-2	HANDLE BASE B	1	PC.
127			266041-8	TAPPING SCREW 5X25	6	PC.

Item No	Type	Sub	Part No.	Description	Qty	Unit
128			266923-4	H.S.HEAD BOLT M6X25 WITH GM	4	PC.
129			455505-9	HANDLE B	1	PC.
130			685756-2	RUBBER SHEET	1	PC.
131			135669-2	TOOL HOLDER ASS'Y	1	PC.
		INC.		Item No. 1-6,8,9		
132	1		684970-7	GLASS CLOTH TUBE 3.5-45	2	PC.
	2		684670-9	VARNISHED POLYESTER TUBE	2	PC.
D01			654510-5	INSULATED CONNECTOR 5.5-SD	3	PC.

ACCESSORIES

- See Catalogue or visit www.makita.ca -

A01			783203-8	HEX. WRENCH 5	1	PC.
A02			B-45559	1-1/8" HEX BULL POINT	1	PC.
A03			197127-6	HAMMER SERVICE KIT	1	PC.
		INC.	213670-8	O RING 58	1	PC.
		INC.	213797-4	X RING 47	1	PC.
		INC.	213798-2	O RING 47	1	PC.
		INC.	213799-0	O RING 56	2	PC.
	2	INC.	A-90582	HAMMER GREASE 30G	1	PC.
	2	INC.	197128-4	CARBON BRUSH CB-218 2PC/SET W/ ORIGIN	1	SET
A04			197172-1	DUST EXTRACTOR ATTACHMENT	1	PC.
		INC.	123352-3	HOSE HOLDER ASSEMBLY (N/A Individually)	1	PC.
		INC.	143139-7	HOSE COMPLETE 28-1.5 (N/A Individually)	1	PC.
		INC.	415021-3	HOSE JOINT	1	PC.
		INC.	454809-6	HOSE HOLDER C	1	PC.
		INC.	195545-2	FRONT CUFF 38 PKG	1	PC.
A05			T-02892	HAMMER CART	1	PC.
A06			751220-A	NARROW CHISEL 20"	1	PC.
A07			751420-A	1-1/8" BULL POINT 20"	1	PC.